

monitor

the world's
best equipment
supported
locally

Sales | Service | Parts | Hire | Finance

Monitor 1890 Spider Lift

1800 025 024
monitor.net.au

@MonitorAUS



V1.0 - 250122



MONITOR 1890

The Monitor 1890 is the most popular Spider Lift in Australasia, and not without reason. Economical, very compact, simple to use, reliable, and excellent outreach.

With its light weight design, the 1890 is very easy to transport on Monitor's strong galvanized steel trailer. The tracks expand out and down to give excellent off-road ability, and yet with the tracks retracted, the 1890 has incredible stowed dimensions of only 790 x 1920 mm which allows it to drive through a domestic doorway!

The extra-long travel stabilizer legs on the 1890 makes it the first choice for working on sloping sites. Narrow paths, nice lawns, sloping ground? That's 1890 country! With its dual power function and super-compact dimensions, the 1890 is brilliant where a lot of outreach is required in confined indoor locations.

The Monitor 1890 PRO version offers 14 hp water-cooled twin cylinder Kubota diesel, auto-levelling, 2 speed drive and radio-controlled drive and stabilization.

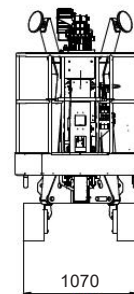
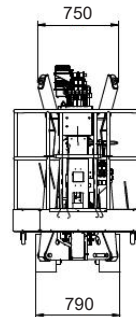
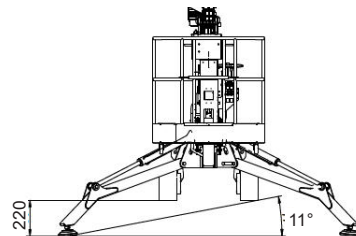
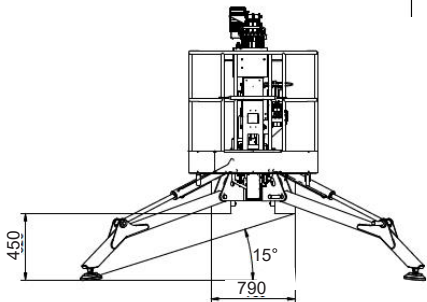
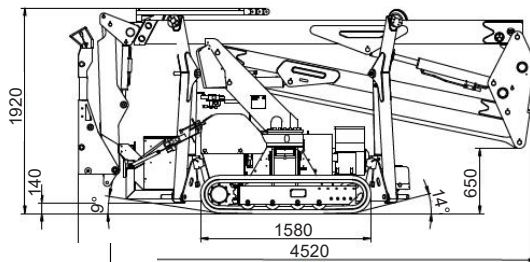
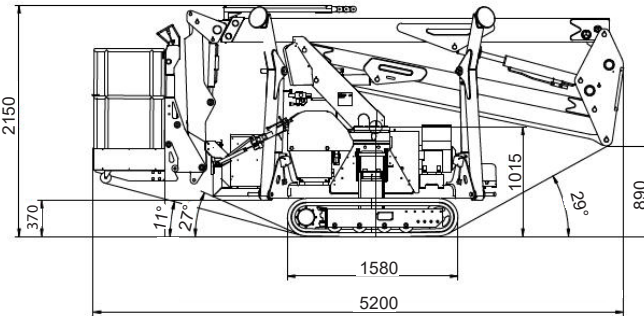
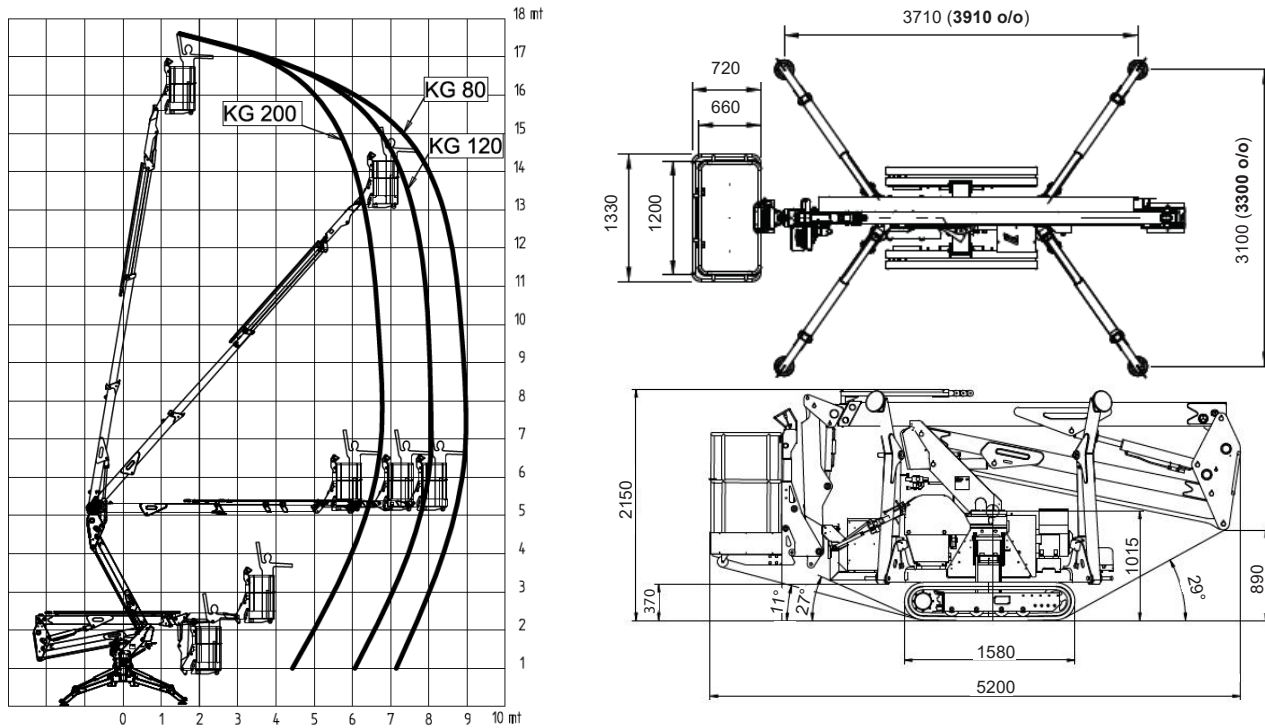


17.6M
WORKING HEIGHT





Technical Specifications



Max working height	17.60 m
Max horizontal outreach (w/-rotation)	8.70 m
Max rated capacity	200 kg
Weight: Engine + 240v	2457 kg
: Engine + Batteries	2620 kg
Turret rotation	360°
Basket Rotation	140°
Ground pressure driving (approx)	47 kN/m ²
Max stabiliser force	17.4 kN
Max stabiliser pressure (std foot pad)	478 kN/m ²
Traffic load (live load) travelling	3.73 kN/m ²
Traffic load (live load) stabilised	2.28 kN/m ²
Max slope for stabilisers (no extra pads)	15°
Gradeability lengthwise	24°
Gradeability sideways	15°
Standard engine	Honda 13 Hp Petrol
Optional engine	Kubota 14 Hp Diesel
Expanding tracks	Std
Max drive speed	1.5 km/h
Electric emergency lowering	Optional

(All specs E&OE and subject to change)





—
**minimised
downtime
guarantee***
—



Our Locations

Branches & Service Centres



Tamworth

143 Gunnedah Rd
Tamworth NSW 2340



Sydney

49-50 Cassola Pl
Penrith NSW 2740



Melbourne

24-28 William Rd
Dandenong South VIC 3175



Brisbane

191 Magnesium Dr
Crestmead QLD 4132



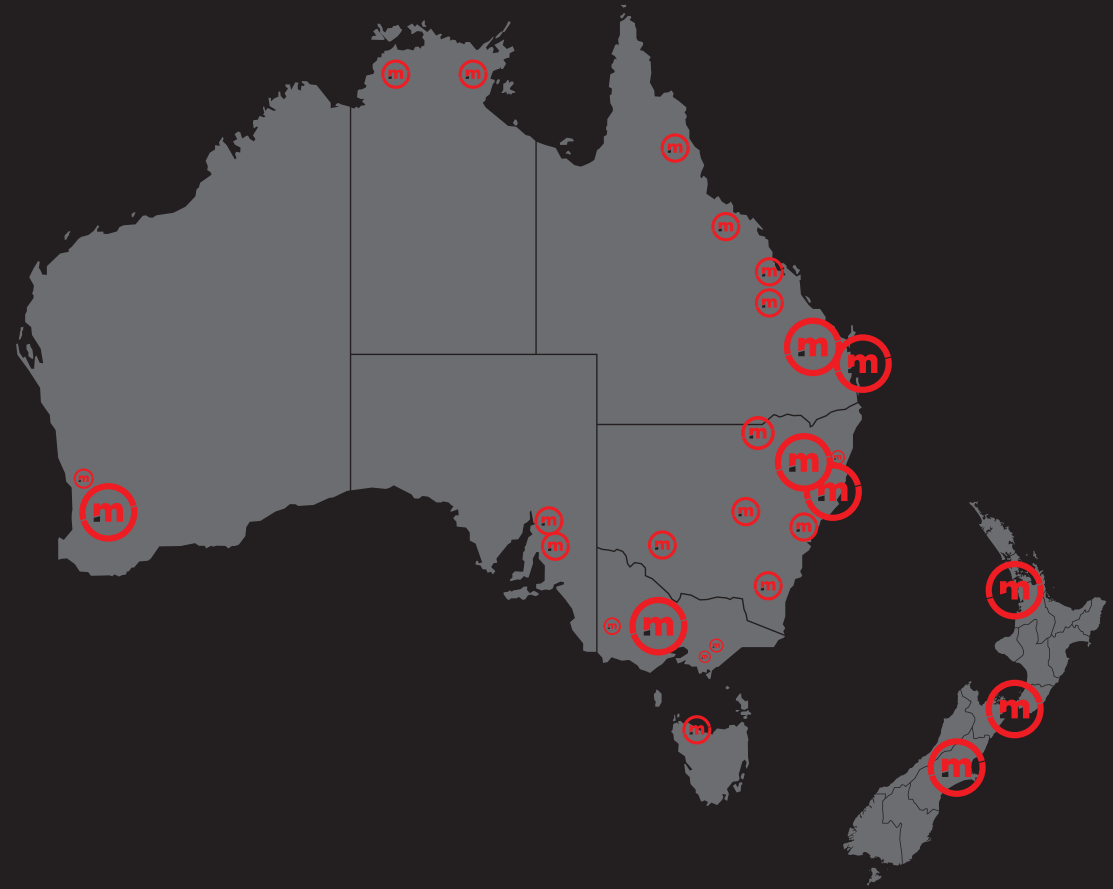
Brisbane - Caboolture

2 Alta Road
Caboolture QLD 4510



Perth

11 Reihill Rd
Maddington WA 6109



agent@monitor.net.au

1800 025 024
monitor.net.au

@MonitorAUS

