

monitor

the world's
best equipment
supported
locally

Sales | Service | Parts | Hire | Finance

Leguan 190 Spider Lift

1800 025 024
monitor.net.au

@MonitorAUS



V1.0 - 250122



LEGUAN 190



Uniquely available with the option of either 4 Wheel Drive for smoother, faster travel speed, or tracks for rougher terrain applications, the Monitor 190 can access many difficult locations and handle harsh applications with ease.

Being skid-steer, the Monitor 190 turns on the spot, and with all controls conveniently located in the platform, is very quick and easy to operate.

Featuring dual power sources, the Leguan is just as at home indoors as outdoors, making this machine one of the most versatile E.W.P's available.

The Monitor 190 Spider Lift is certified for two operators and the excellent outreach envelope ensures reliable and safe operations, all day, every day.

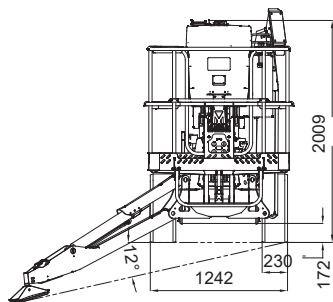
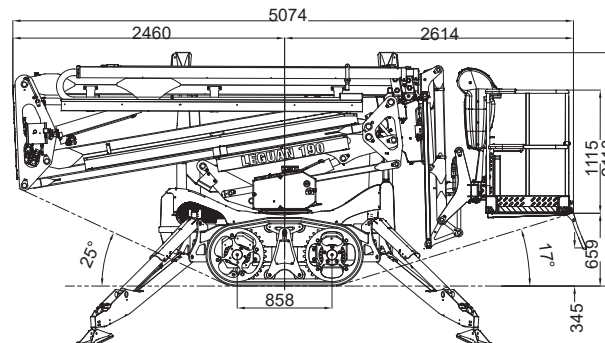
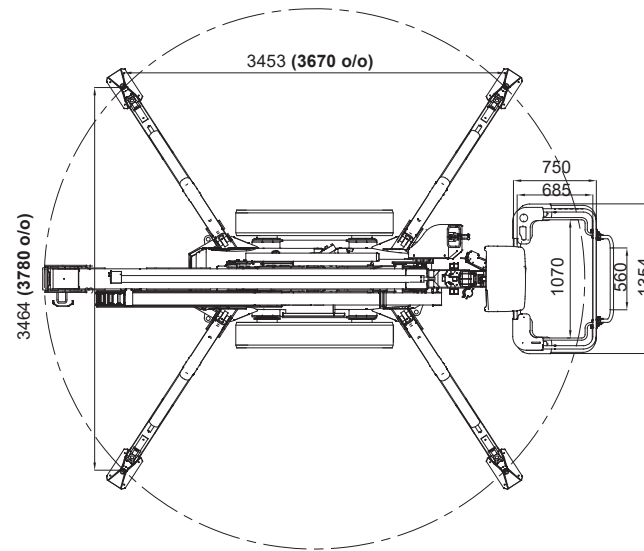
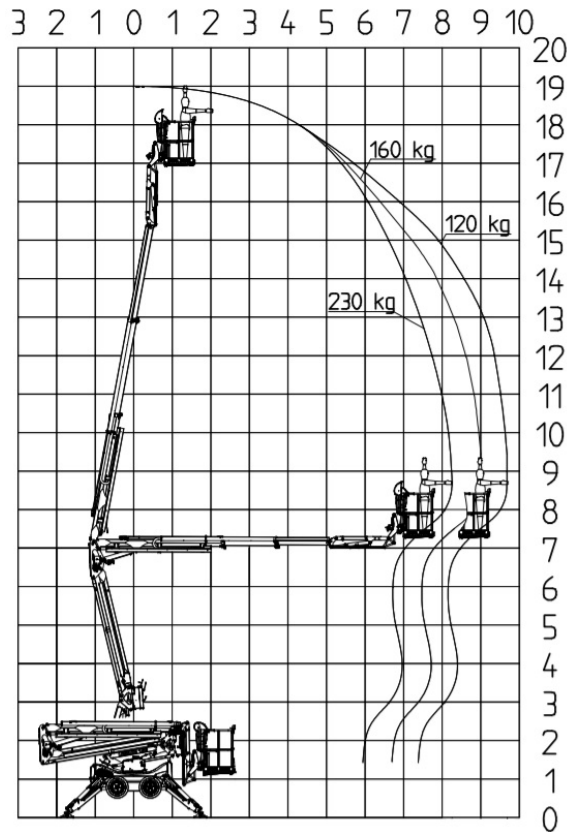
The strong all-steel construction guarantees a long trouble-free service life.

19M
WORKING HEIGHT





Technical Specifications



Max working height	19.00 m
Max horizontal outreach	8.1 m (230kg) / 9.8 m (120kg)
Max rated capacity	230 kg
Weight	2680 kg
Turret rotation	360°
Basket rotation	90°
Ground pressure driving (approx)	tyres 306kN/m ² (tracks 74 kN/m ²)
Max stabiliser force	20 kN
Max stabiliser pressure (std foot pad)	340 kN/m ²
Traffic load (live load) travelling	4.56 kN/m ²
Traffic load (live load) stabilised	2 kN/m ²
Auto levelling	Yes
Max slope for stabilisers (no extra pads)	12°
Gradeability lengthwise	20°
Gradeability sideways	20°
Standard engine	Kubota 14 Hp Diesel
Dual power options	240V
Tracks	Optional
Max drive speed	5.2 km/h
Radio control	Std

(All specs E&OE and subject to change)





—
**minimised
downtime
guarantee***
—



Our Locations

Branches & Service Centres



Tamworth

143 Gunnedah Rd
Tamworth NSW 2340



Sydney

49-50 Cassola Pl
Penrith NSW 2740



Melbourne

24-28 William Rd
Dandenong South VIC 3175



Brisbane

191 Magnesium Dr
Crestmead QLD 4132



Brisbane - Caboolture

2 Alta Road
Caboolture QLD 4510



Perth

11 Reihill Rd
Maddington WA 6109



agent@monitor.net.au

1800 025 024
monitor.net.au

@MonitorAUS



monitor

the world's best equipment supported locally

Leguan 190 Spider Lift

7