

monitor

the world's
best equipment
supported
locally

Sales | Service | Parts | Hire | Finance

Monitor 2350R Spider Lift

1800 025 024
monitor.net.au

@MonitorAUS



V1.0 - 250122



MONITOR 2350R

The Monitor 2350R Spider Lift is ideal for load-sensitive flooring.

With all of the features, the Monitor 2350R Spider Lift weighs only 3250kg, making it the perfect machine for load-sensitive flooring. The soft non-marking rubber tracks are very gentle on fragile surfaces. The high quality Danish build coupled with its simple design makes it a great choice for operator satisfaction and long life reliability.

Being only 1.1 m wide, the Monitor 2350R can access many areas that are inaccessible to other machinery. With the dual power (24 volt battery system) option, the 2350R is just as at home indoors. The ability to take such a tall machine inside difficult buildings can open up enormous possibilities and save a lot of time and money compared to resorting to manual labour and scaffolding.

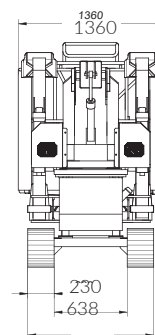
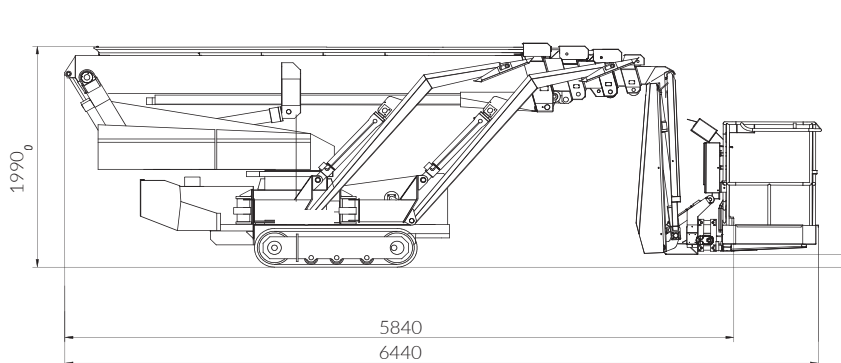
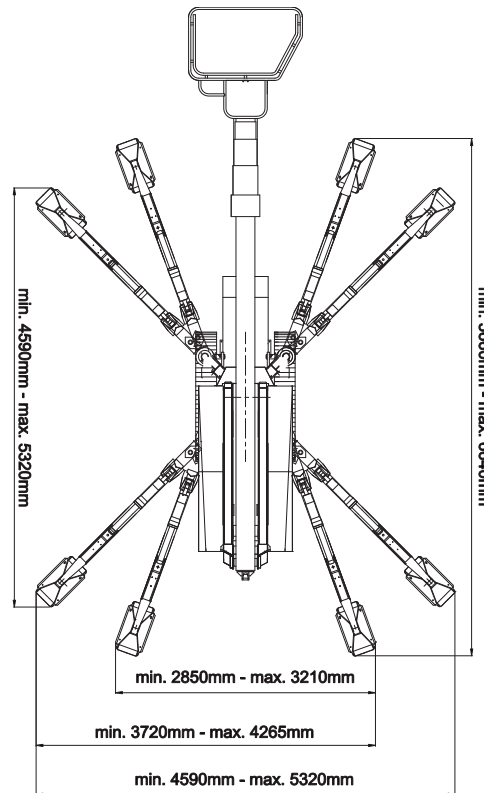
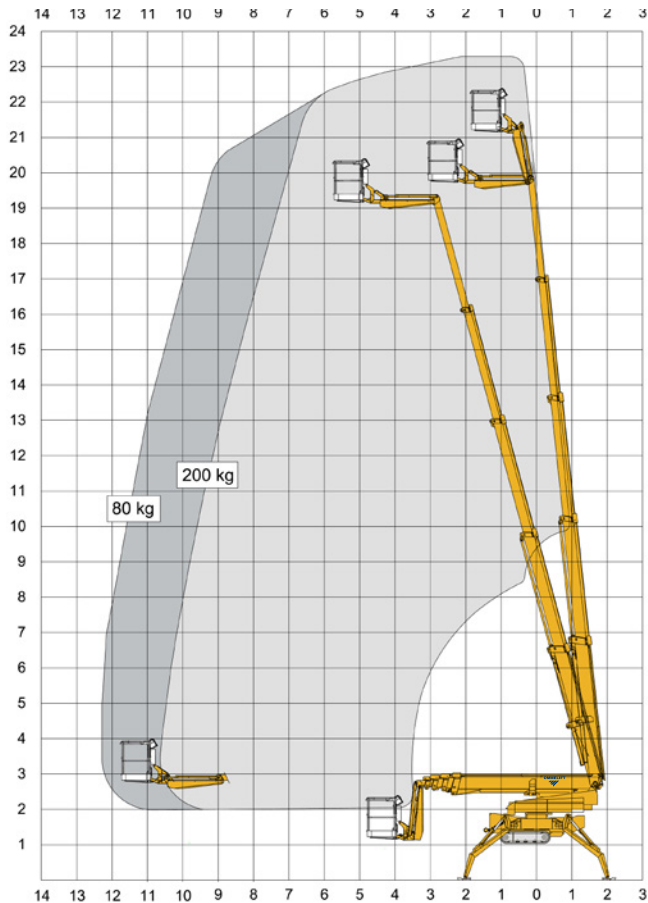


23.1M
WORKING HEIGHT





Technical Specifications



Max working height	23.1 m
Max working height in narrow set	22.6 m
Max horizontal outreach	12.2 m
Max rated capacity	200 kg
Weight : Std Tracks	3250 kg
: Expandable Tracks	3390 kg
Turret rotation	710°
Basket rotation	100°
Ground pressure driving (approx)	67 kN/m ²
Max stabiliser force	19.8 kN
Max stabiliser pressure (std foot pad)	159 kN/m ²
Traffic load (live load) travelling	4.1 kN/m ²
Traffic load (live load) stabilised wide	1.8 kN/m ²
Traffic load (live load) stabilised narrow	2.6 kN/m ²
Auto levelling	Std
Max slope for stabilisers (no extra pads)	21.8°
Gradeability lengthwise	19.3°
Gradeability sideways	14°
Standard engine	Kubota 20 Hp Diesel
Dual power options	Batteries
Expanding tracks	Optional
Max drive speed	1.45 km/h
Radio control	Std
Electric emergency lowering	Std

(All specs E&OE and subject to change)





—
**minimised
downtime
guarantee***
—



Our Locations

Branches & Service Centres



Tamworth

143 Gunnedah Rd
Tamworth NSW 2340



Sydney

49-50 Cassola Pl
Penrith NSW 2740



Melbourne

24-28 William Rd
Dandenong South VIC 3175



Brisbane

191 Magnesium Dr
Crestmead QLD 4132



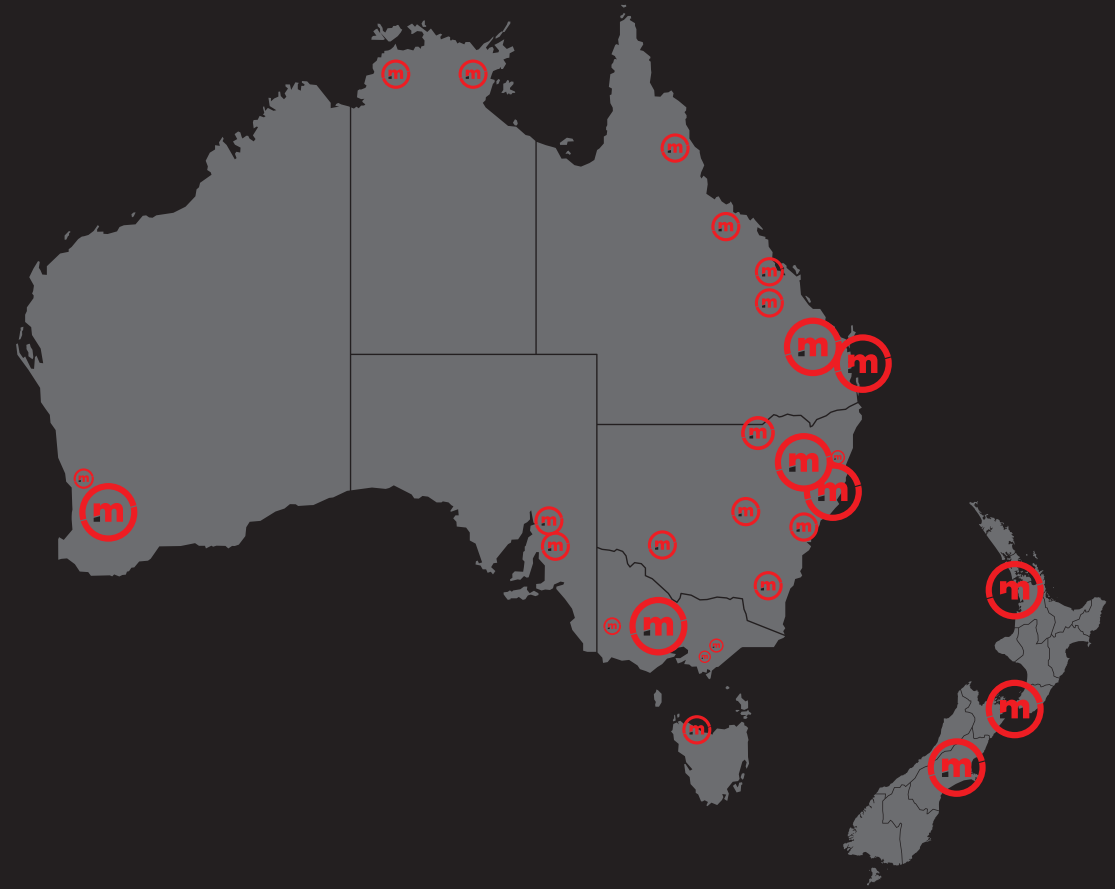
Brisbane - Caboolture

2 Alta Road
Caboolture QLD 4510



Perth

11 Reihill Rd
Maddington WA 6109



agent@monitor.net.au

1800 025 024
monitor.net.au

@MonitorAUS



monitor

the world's best equipment supported locally

Monitor 2350R Spider Lift

7