

# monitor

the world's  
best equipment  
supported  
locally

Sales | Service | Parts | Hire | Finance

## Monitor 2750RX Spider Lift

1800 025 024  
[monitor.net.au](http://monitor.net.au)

@MonitorAUS



V1.0 - 250122



# MONITOR 2750RX

The Monitor 2750RX Spider Lift is ideal for work in confined and congested areas.

It offers exceptional up and over outreach capability. This feature is ideal for work in confined and congested areas. The increased capacity of 250kg also adds to its heavy-duty versatility. This Spider Lift is the first choice for tougher commercial applications.

At an incredibly narrow width of only 1.1m, the 2750RX is perfectly suited to indoor applications. Weighing only 5.3 t, it is safe to use on load sensitive flooring.

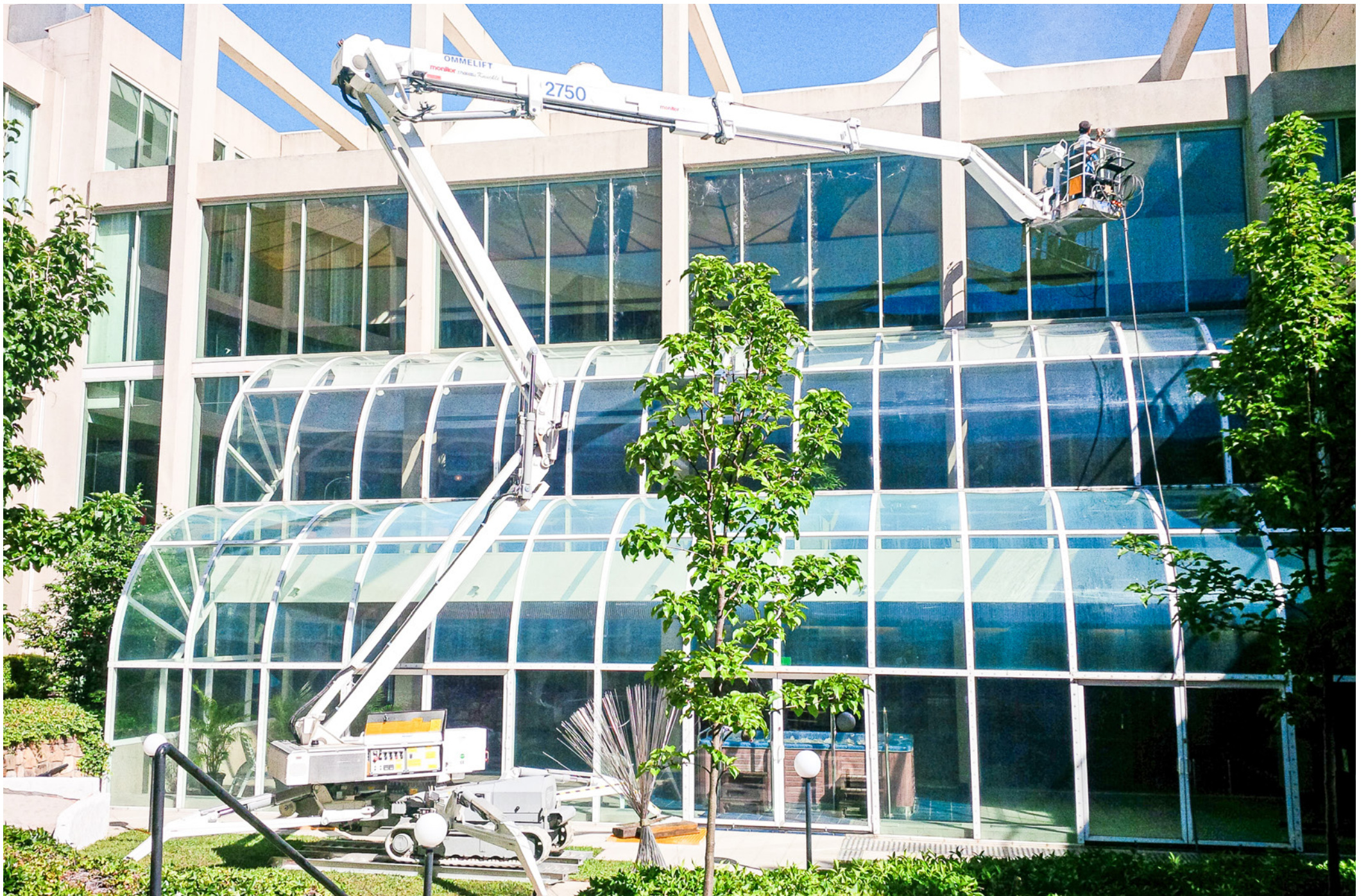
Non-marking rubber tracks and a light footprint ensure there is no damage on good surfaces.

Battery power + compact dimensions + light weight + gentle non-marking rubber tracks = the perfect indoor spider lift!

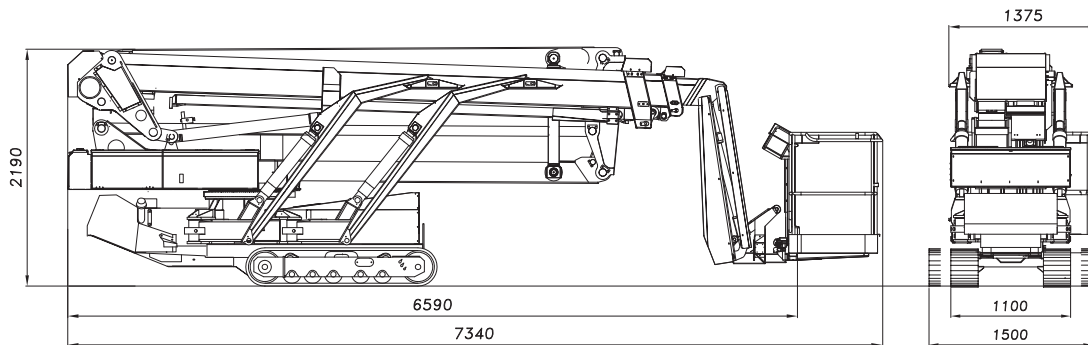
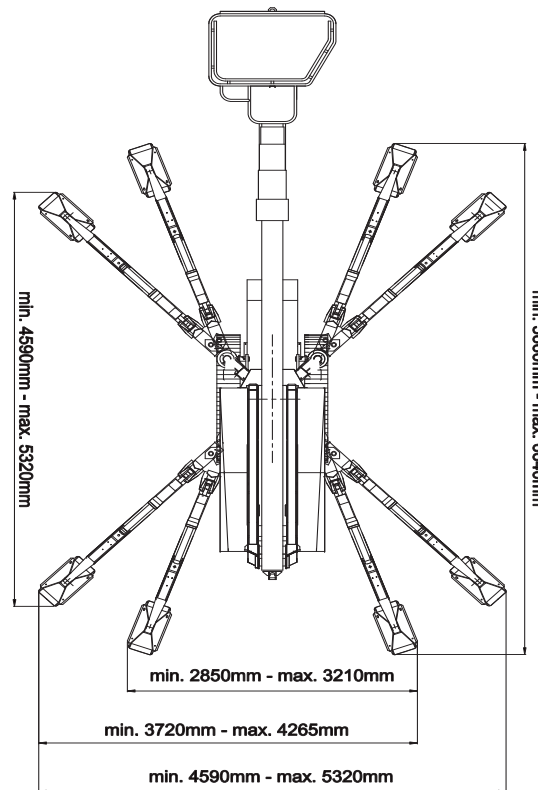
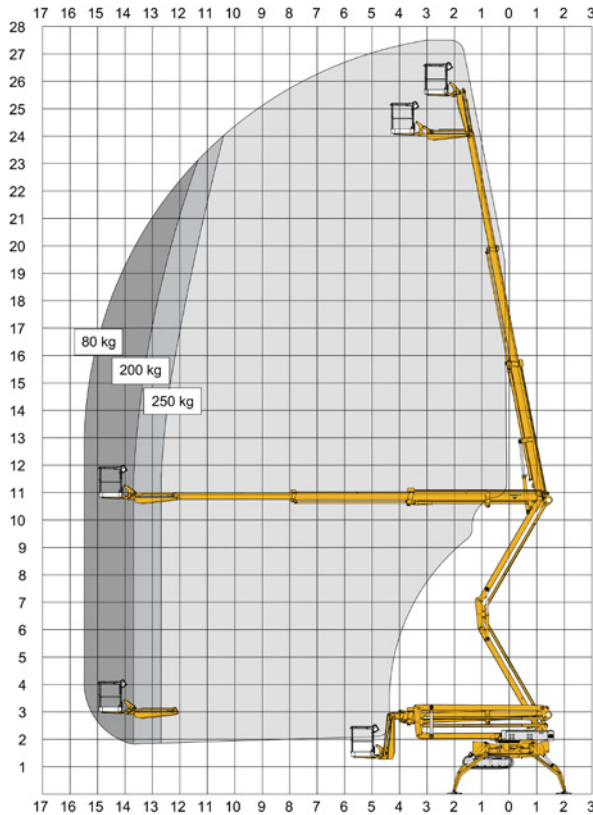


**27.5M**  
WORKING HEIGHT





# Technical Specifications



<b>Max working height</b>	<b>27.5 m</b>
Max working height in narrow set	26.5 m
<b>Max horizontal outreach</b>	<b>15.5 m</b>
Max rated capacity	250 kg
<b>Weight : Expandable Tracks</b>	<b>5315 kg</b>
Turret rotation	710°
Basket rotation	100°
Ground pressure driving (approx)	78.5 kN/m <sup>2</sup>
Max stabiliser force	32.6 kN
Max stabiliser pressure (std foot pad)	326 kN/m <sup>2</sup>
Traffic load (live load) travelling	5.7 kN/m <sup>2</sup>
Traffic load (live load) stabilised wide	2.84 kN/m <sup>2</sup>
Traffic load (live load) stabilised narrow	4.0 kN/m <sup>2</sup>
Auto levelling	Std
Max slope for stabilisers (no extra pads)	21.8°
Gradeability lengthwise	19.3°
Gradeability sideways	14°
Standard engine	Kubota 20 Hp Diesel
Dual power options	Batteries
Expanding tracks	Std
Max drive speed	2.6 km/h
Radio control	Std
Electric emergency lowering	Std

(All specs E&OE and subject to change)





—  
**minimised  
downtime  
guarantee\***  
—



# Our Locations

## Branches & Service Centres



### Tamworth

143 Gunnedah Rd  
Tamworth NSW 2340



### Sydney

49-50 Cassola Pl  
Penrith NSW 2740



### Melbourne

24-28 William Rd  
Dandenong South VIC 3175



### Brisbane

191 Magnesium Dr  
Crestmead QLD 4132



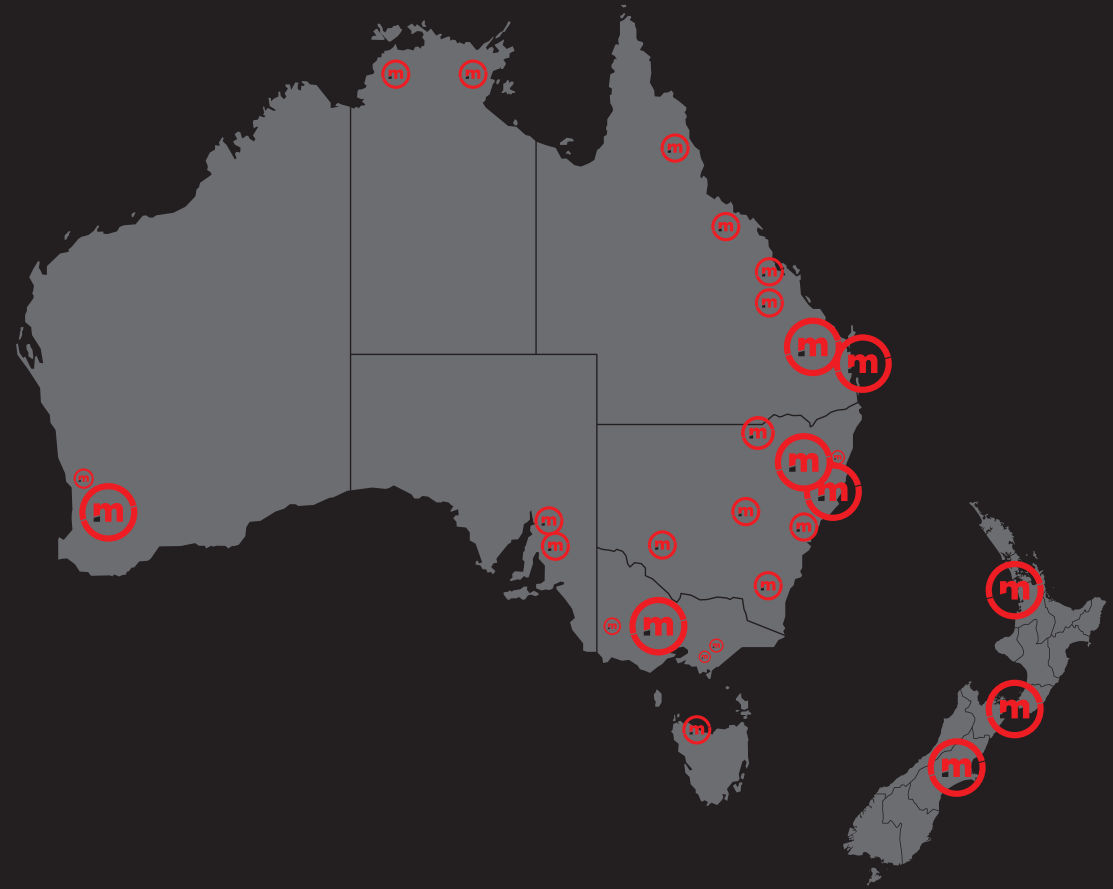
### Brisbane - Caboolture

2 Alta Road  
Caboolture QLD 4510



### Perth

11 Reihill Rd  
Maddington WA 6109



[agent@monitor.net.au](mailto:agent@monitor.net.au)

1800 025 024  
[monitor.net.au](http://monitor.net.au)

@MonitorAUS



**monitor**

the world's best equipment supported locally

Monitor 2750RX Spider Lift

7