

monitor

the world's
best equipment
supported
locally

Sales | Service | Parts | Hire | Finance

Monitor 3150R Spider Lift

1800 025 024
monitor.net.au

@MonitorAUS



V1.0 - 250122



MONITOR 3150R



The Monitor 3150R Spider Lift is ideal for work in confined and congested areas.

It offers exceptional up and over outreach capability. This feature is ideal for work in confined and congested areas. The increased capacity of 200kg also adds to its heavy-duty versatility. This Spider Lift is the first choice for tougher commercial applications.

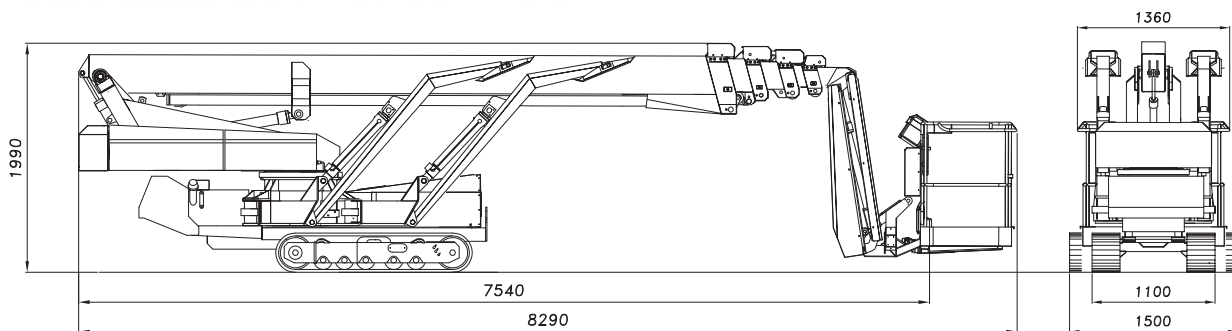
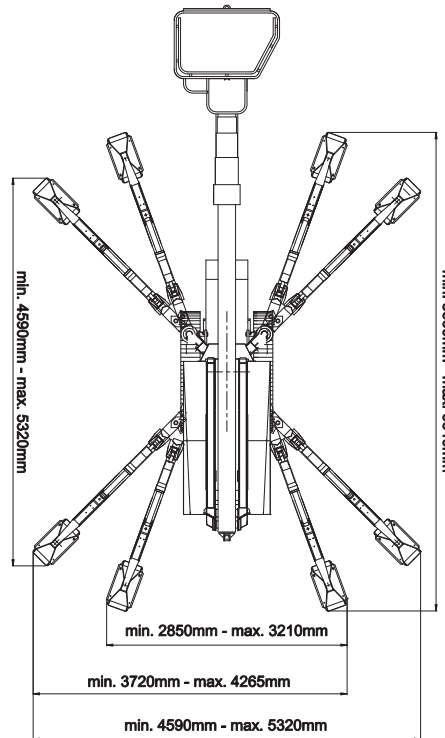
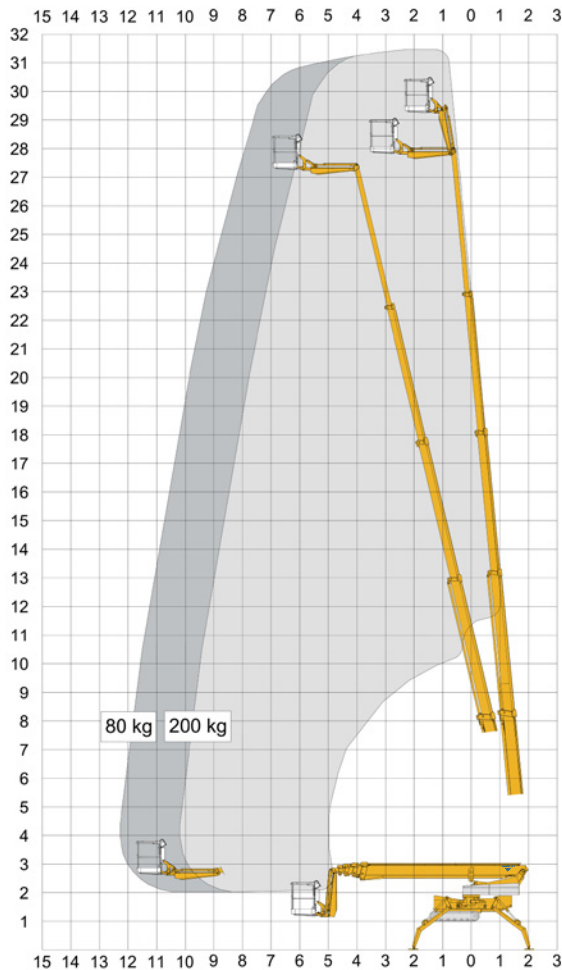
At an incredibly narrow width of only 1.1 m, the 3150R is perfectly suited to indoor applications. Weighing only 4.15 t, it is safe to use on load sensitive flooring. Non-marking rubber tracks and a light footprint ensure there is no damage on good surfaces.

31.1m
WORKING HEIGHT





Technical Specifications



| | |
|--|-----------------------|
| Max working height | 31.1 m |
| Max working height in narrow set | 30.6 m |
| Max horizontal outreach | 12.6 m |
| Max rated capacity | 200 kg |
| Weight : Std Tracks | 4150 kg |
| : Expandable Tracks | 4300 kg |
| Turret rotation | 710° |
| Basket rotation | 100° |
| Ground pressure driving (approx) | 61 kN/m ² |
| Max stabiliser force | 28 kN |
| Max stabiliser pressure (std foot pad) | 222 kN/m ² |
| Traffic load (live load) travelling | 4.2 kN/m ² |
| Traffic load (live load) stabilised wide | 2.3 kN/m ² |
| Traffic load (live load) stabilised narrow | 3.2 kN/m ² |
| Auto levelling | Std |
| Max slope for stabilisers (no extra pads) | 21.8° |
| Gradeability lengthwise | 19.3° |
| Gradeability sideways | 14° |
| Standard engine | Kubota 20 Hp Diesel |
| Dual power options | Batteries |
| Expanding tracks | Optional |
| Max drive speed | 2.5 km/h |
| Radio control | Std |
| Electric emergency lowering | Std |

(All specs E&OE and subject to change)





—
**minimised
downtime
guarantee***
—



Our Locations

Branches & Service Centres



Tamworth

143 Gunnedah Rd
Tamworth NSW 2340



Sydney

49-50 Cassola Pl
Penrith NSW 2740



Melbourne

24-28 William Rd
Dandenong South VIC 3175



Brisbane

191 Magnesium Dr
Crestmead QLD 4132



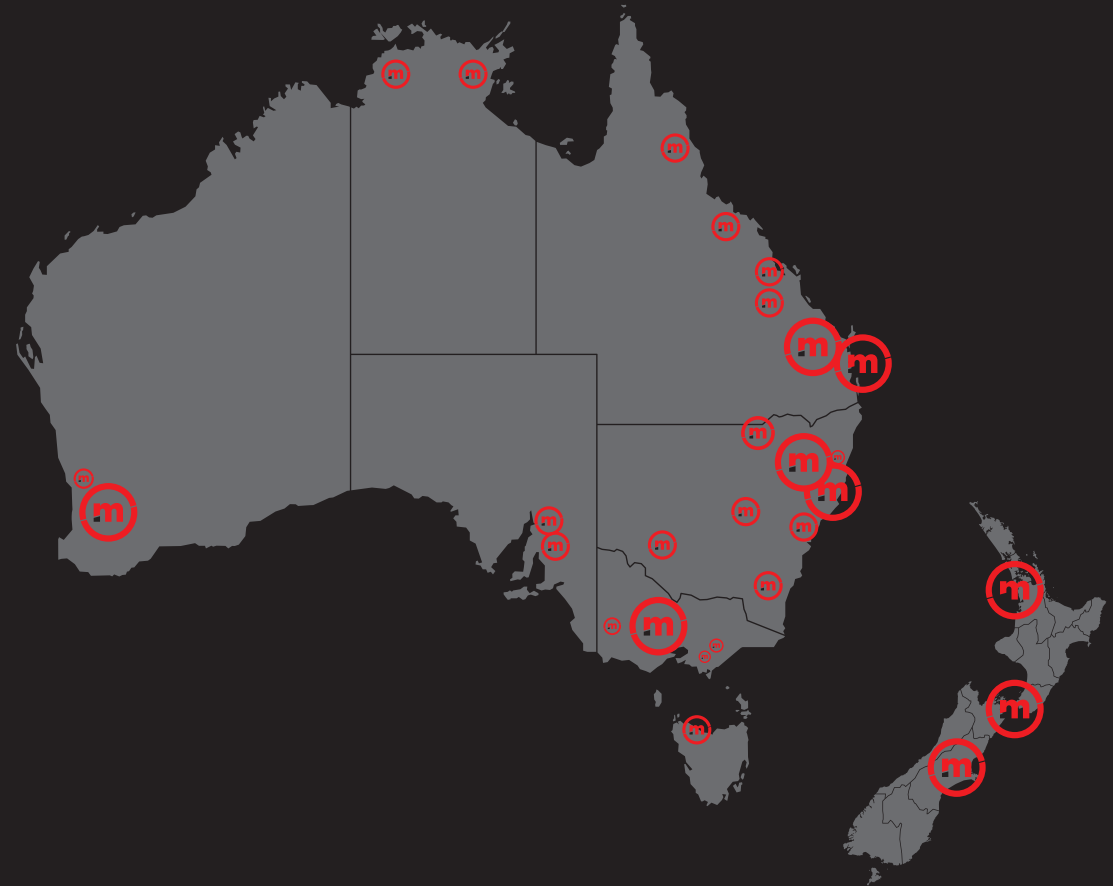
Brisbane - Caboolture

2 Alta Road
Caboolture QLD 4510



Perth

11 Reihill Rd
Maddington WA 6109



agent@monitor.net.au

1800 025 024
monitor.net.au

@MonitorAUS



monitor

the world's best equipment supported locally

Monitor 3150R Spider Lift

7