

monitor

the world's
best equipment
supported
locally

Sales | Service | Parts | Hire | Finance

CMC S13F Spider Lift

1800 025 024
monitor.net.au

@MonitorAUS



V1.0 - 250304



CMC S13F



Compact, lightweight, and multi-functional, the CMC S13F Spider Lift is the perfect solution for working in the most challenging conditions and tight, difficult to access spaces.

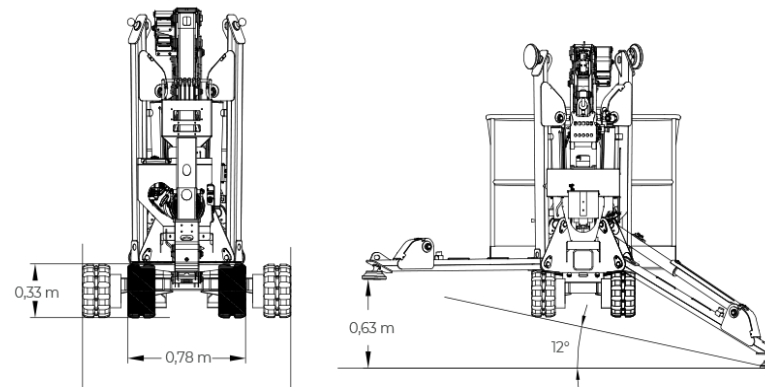
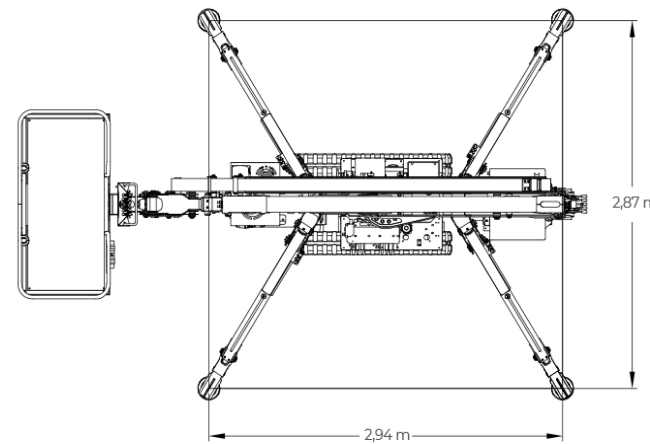
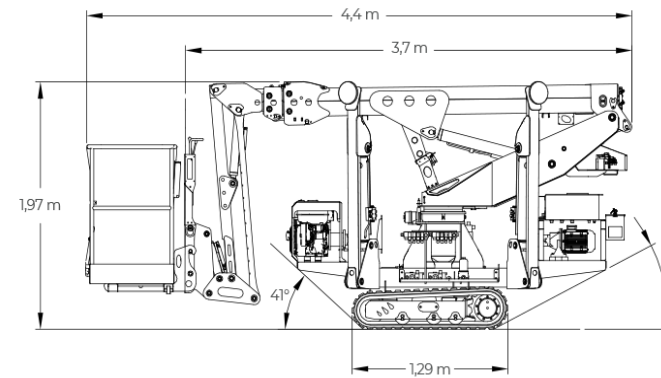
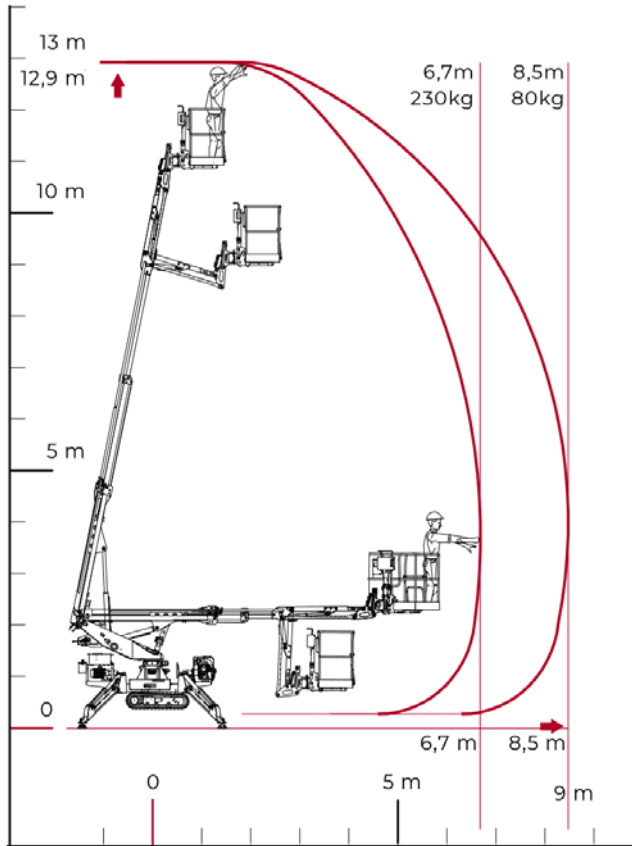
Fully hydraulic with two working areas, two telescopic boom extensions, and an articulating jib (90°). It is an easy-to-use, intuitive, and fast platform. Thanks to its compact size, it can pass through a standard door and fit into elevators.



12.9M
WORKING HEIGHT



Technical Specifications



Max working height	12.9 m
Max platform height	10.9 m
Max horizontal outreach (with 80 kg)	8.5 m
Max rated capacity	230 kg
Weight	1565 kg
Basket dimensions	1.4 x 0.7 x 1.1 m
Basket rotation	±90° (options)
Turret rotation	±178° (365° non-continuous)
Standard engine	13 HP Honda Petrol & 240V Electric Motor

(All specs E&OE and subject to change)





—
**minimised
downtime
guarantee***
—



Our Locations

Branches & Service Centres



Tamworth

143 Gunnedah Rd
Tamworth NSW 2340



Sydney

49-50 Cassola Pl
Penrith NSW 2740



Melbourne

24-28 William Rd
Dandenong South VIC 3175



Brisbane

191 Magnesium Dr
Crestmead QLD 4132



Brisbane - Caboolture

2 Alta Road
Caboolture QLD 4510



Perth

11 Reihill Rd
Maddington WA 6109



agent@monitor.net.au

1800 025 024
monitor.net.au

@MonitorAUS



monitor

the world's best equipment supported locally

CMC S13F Spider Lift

7