

monitor

the world's
best equipment
supported
locally

Sales | Service | Parts | Hire | Finance

CMC S18FR-D Spider Lift

1800 025 024
monitor.net.au

@MonitorAUS

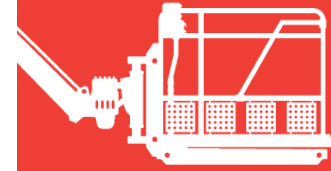


V1.0 - 250122



CMC S18FR-D

monitor
Access



The CMC S18FR-D is a full hydraulic with 1 pantograph plus 2 telescopic boom extensions, plus an articulating jib.

With an incredible 11.15m of Horizontal Outreach and a 230kg Basket Capacity, the S18F is an ideal machine for the Arbor work, property maintenance, painting and more. With a user-friendly design, the S18FR-D is towable on a 3.5T GVM trailer thanks to a weight of only 2,580kg, and yet still has the ability to fit through a standard door way making this an ideal machine size for many industries.

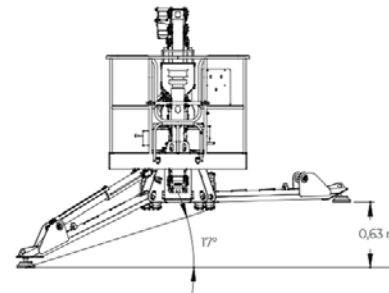
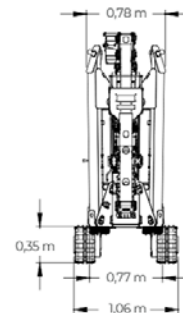
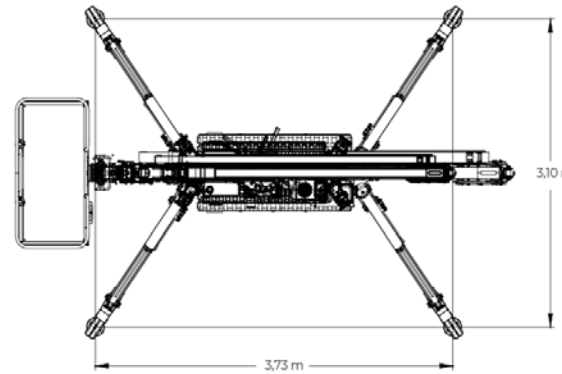
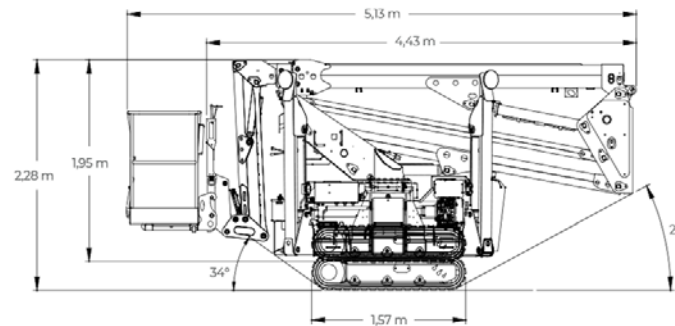
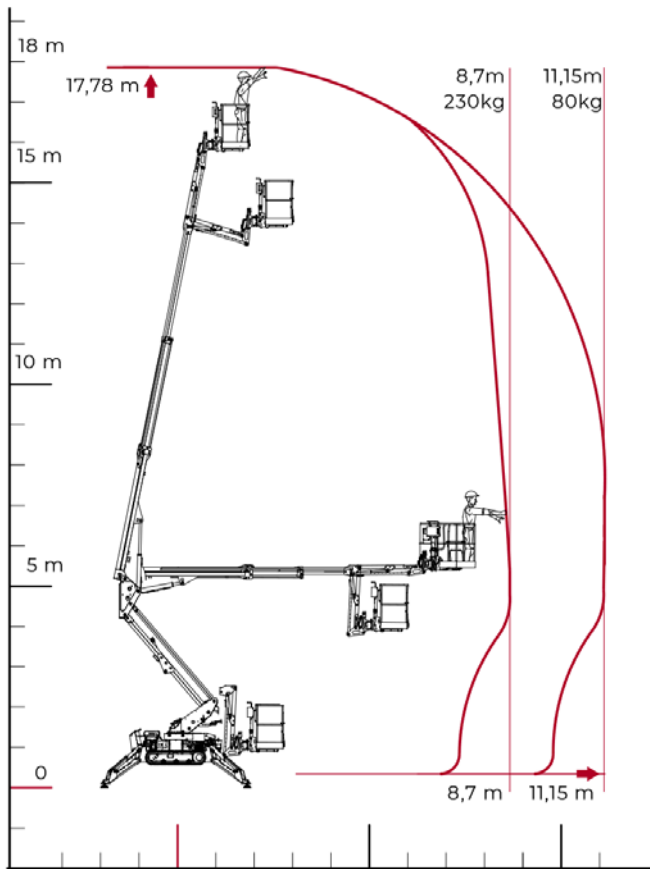
Having a radio controlled remote, auto leveling outriggers and two speed drive just adds a whole new dimension for the operator, allowing them to view each side of the machine when operating and improving overall safety. Also thanks to a powerful 14HP Kubota Diesel, the S18FR-D allows you to operate upto three functions at one time.



17.78M
WORKING HEIGHT



Technical Specifications



Max working height	17.78 m
Max platform height	15.78 m
Max horizontal outreach (with 80 kg)	11.15 m
Max rated capacity	230 kg
Weight	2580 kg
Basket dimensions	1.4 x 0.7 x 1.1 m
Basket rotation	±90° (options)
Turret rotation	±178° (365° non-continuous)
2-Speed Drive	Yes
Auto-Level Stabilizer Legs	Yes
Radio-Control	Yes
Power Source	14 hp Kubota Diesel & 240V Electric Motor

(All specs E&OE and subject to change)





—
**minimised
downtime
guarantee***
—



Our Locations

Branches & Service Centres



Tamworth

143 Gunnedah Rd
Tamworth NSW 2340



Sydney

49-50 Cassola Pl
Penrith NSW 2740



Melbourne

24-28 William Rd
Dandenong South VIC 3175



Brisbane

191 Magnesium Dr
Crestmead QLD 4132



Brisbane - Caboolture

2 Alta Road
Caboolture QLD 4510



Perth

11 Reihill Rd
Maddington WA 6109



agent@monitor.net.au

1800 025 024
monitor.net.au

@MonitorAUS

