



WAIMEA E190THD TRUCK MOUNTED LIFT



WAIMEA E190THD

The Waimea E190ETH truck mounted lift is a 24.8 m truck mounted machine. It is known for its exceptional strength and rigidity, combined with its simple and intuitive operation.

The Waimea E190THD truck mounted lift is built

to accommodate 2 persons and tools with a maximum rate capacity of 220 - 250 kg.

The Waimea E190THD is weighs 7.5 t, it can still manage 18.52 m of working height, 16.52 m of platform height, and 13.60 m horizontal reach.

It features internal protected hoses with self-cleaning brushes on the telescopic sections to prevent ingress of dirt and other debris. particularly suited to heavy duty applications with its all-steel and strong profile design.



18.52M
WORKING HEIGHT

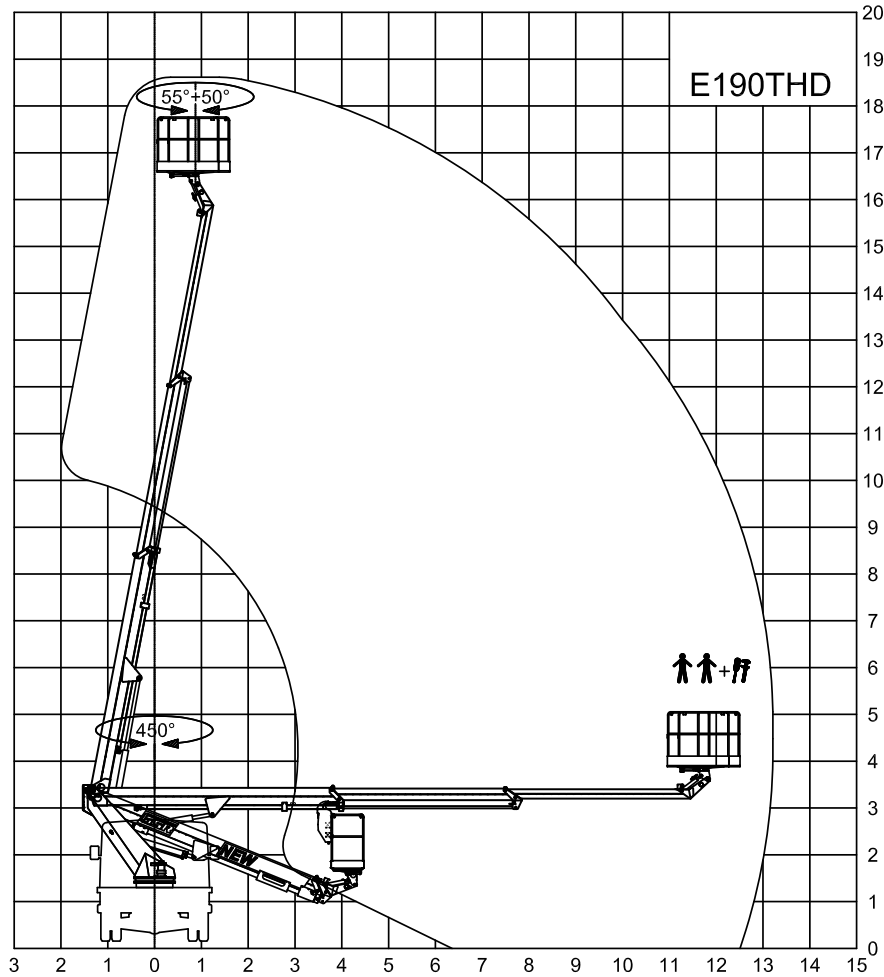




WAIMEA E190THD - TRUCK MOUNTED LIFTS

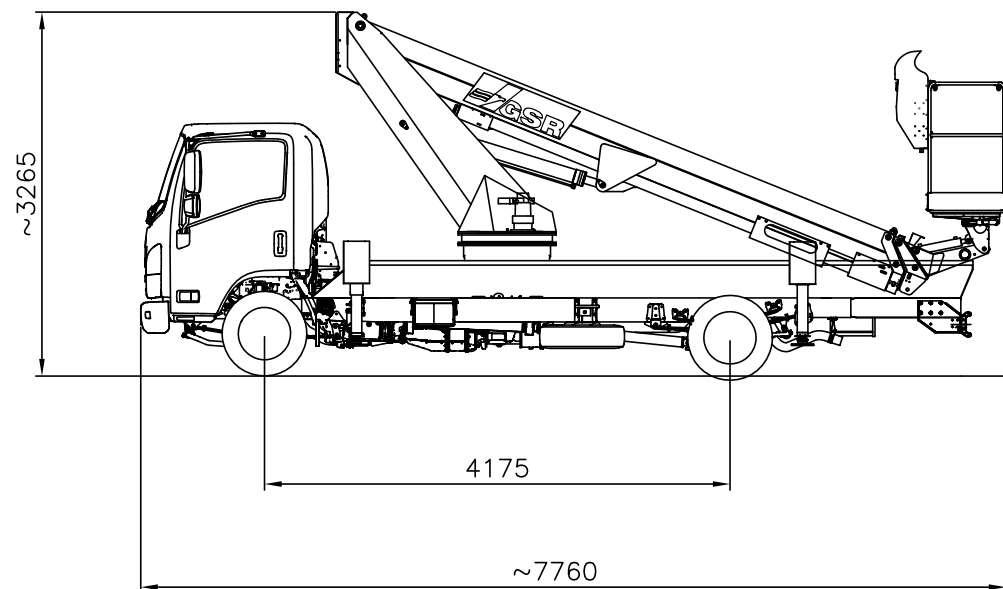


TECHNICAL SPECIFICATIONS



Max working height	18.52 m
Max platform height	16.52 m
Max horizontal reach	14.0 m
Max. horizontal outreach to edge of basket	13.60 m
Max. rated capacity	220 - 250 kg
Weight (approx)	7500 GVM
Turret rotation	450
Basket rotation	105°
Min. Transport Length	7.76
Min. Transport Width	2.40
Min. Transport height	3.27
Standard power source	PTO from vehicle

(All specs E&OE and subject to change)





WAIMEA E190THD - TRUCK MOUNTED LIFTS



GET IN TOUCH

Contact **Ben Joyce** now for more information!

E: ben.joyce@waimea.net.au

M: 0458 230 268

