

# monitor

the world's  
best equipment  
supported  
locally

Sales | Service | Parts | Hire | Finance

## Monitor 1275 Spider Lift

1800 025 024  
[monitor.net.au](http://monitor.net.au)

@MonitorAUS



V1.0 - 240718

monitor LIFTS

monitor

1275 SPIDER LIFT



# MONITOR 1275

Released in 2020, the Monitor 1275 Spider Lift is a similar machine to Monitor Lifts' 1380. However, the 1275 has all the bells and whistles, which makes this machine the ideal Mini Spider Lift.

With the most compact dimensions, the Monitor 1275 can navigate its way through tight and confined spaces comfortably.

The radioremote control allows the operator to move around the machine and check the movements of the unit from every angle, at a comfortable and safe distance.

To allow the operator to efficiently move the machine into position and set up quickly, the 1275 has a two speed drive & auto leveling outriggers. Its increased 230kg platform capacity provides sufficient room for two people, plus tools to work comfortably from the platform.

Light in weight, the 1275 is very easily towed on a 2 t GVM trailer, making transportation a breeze!

A simple hydraulically expandable track design provides this machine with more stability when tackling rough terrain, and also the ability to access the most confined locations.

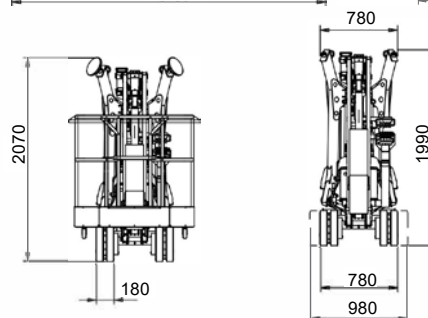
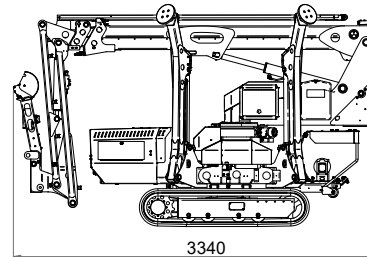
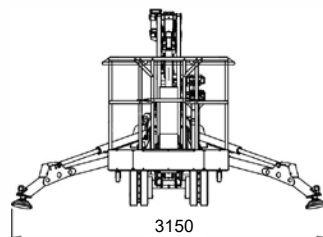
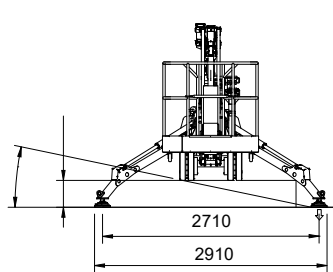
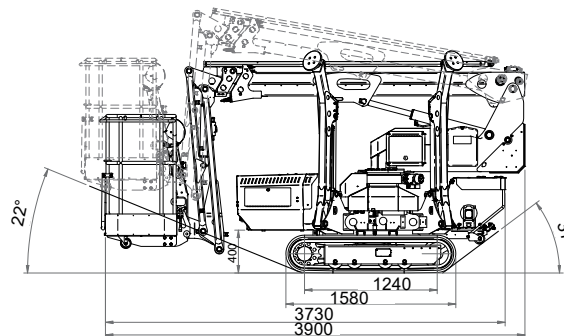
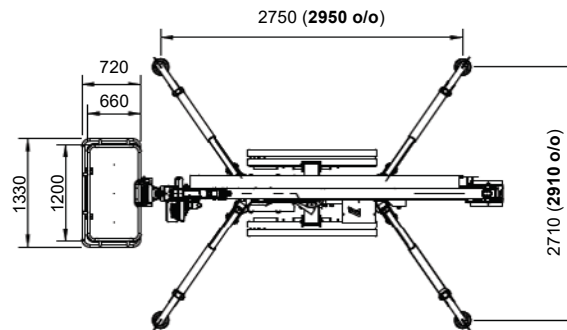
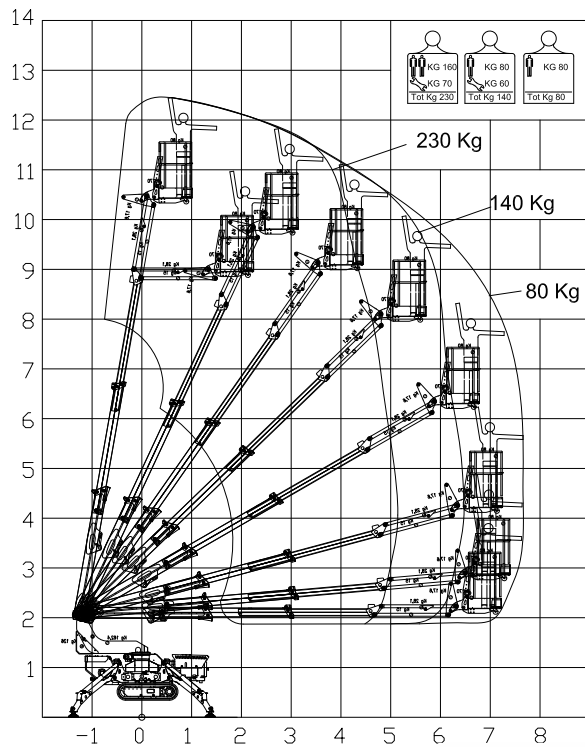


**12.3M**  
WORKING HEIGHT





# Technical Specifications



<b>Max working height</b>	<b>12.30 m</b>
<b>Max horizontal outreach</b>	<b>7.50 m</b>
Max rated capacity	230 kg
<b>Weight: Engine + 240V</b>	<b>EP 1794 kg</b>
: Engine + Batteries	BP 1834 kg
Turret rotation	360°
Basket rotation	Optional
Ground pressure driving (approx)	37.8 kN/m <sup>2</sup>
Max stabiliser force	11.81 kN
Max stabiliser pressure (std foot pad)	379.7 kN/m <sup>2</sup>
Traffic load (live load) travelling	3.5 kN/m <sup>2</sup>
Traffic load (live load) stabilised	2.3 kN/m <sup>2</sup>
Auto levelling	Std
Max slope for stabilisers (no extra pads)	12°
Gradeability lengthwise	15°
Gradeability sideways	12°
Standard engine	Honda 13 Hp Petrol
Optional engine	Hatz 7 Hp Diesel
Dual power options	240V or Lithium Batteries
Expanding tracks	Std
Max drive speed	2.4 km/h
Radio control	Std
Electric emergency lowering	Optional

(All specs E&OE and subject to change)





zero  
downtime  
guarantee\*



# Our Locations

## Branches & Service Centres



### Tamworth

143 Gunnedah Rd  
Tamworth NSW 2340



### Sydney

49-50 Cassola Pl  
Penrith NSW 2740



### Melbourne

24-28 William Rd  
Dandenong South VIC 3175



### Brisbane

191 Magnesium Dr  
Crestmead QLD 4132



### Brisbane - Caboolture

2 Alta Drive  
Caboolture QLD 4510



### Perth

11 Reihill Rd  
Maddington WA 6109



[agent@monitor.net.au](mailto:agent@monitor.net.au)

1800 025 024  
[monitor.net.au](http://monitor.net.au)

@MonitorAUS



**monitor**

the world's best equipment supported locally

Monitor 1275 Spider Lift