

Winlet
1000

Crawler
Bi-Leveling

**WITH
EXTENDED
REACH!**



Pat. Pending

**CRAWLED CARRIER >> ALL TERRAIN MANEUVERABLE >> DYNAMIC LEVELLING OF MANIPULATOR >>
EXTREME STABILITY >> MORE SAFETY >> SATISFIED EMPLOYEES >> FASTER INSTALLATION**

Winlet Crawler Bi-Leveling is a "state-of-the-art" machinery distinguished by being all terrain maneuverable as well as having dynamic levelling of the complete manipulator on both horizontal axis. It's designed to start where all other glasslifters must give up!

WWW.WINLET.DK



CRAWLED TRACTION AND LOW GROUND PRESSURE

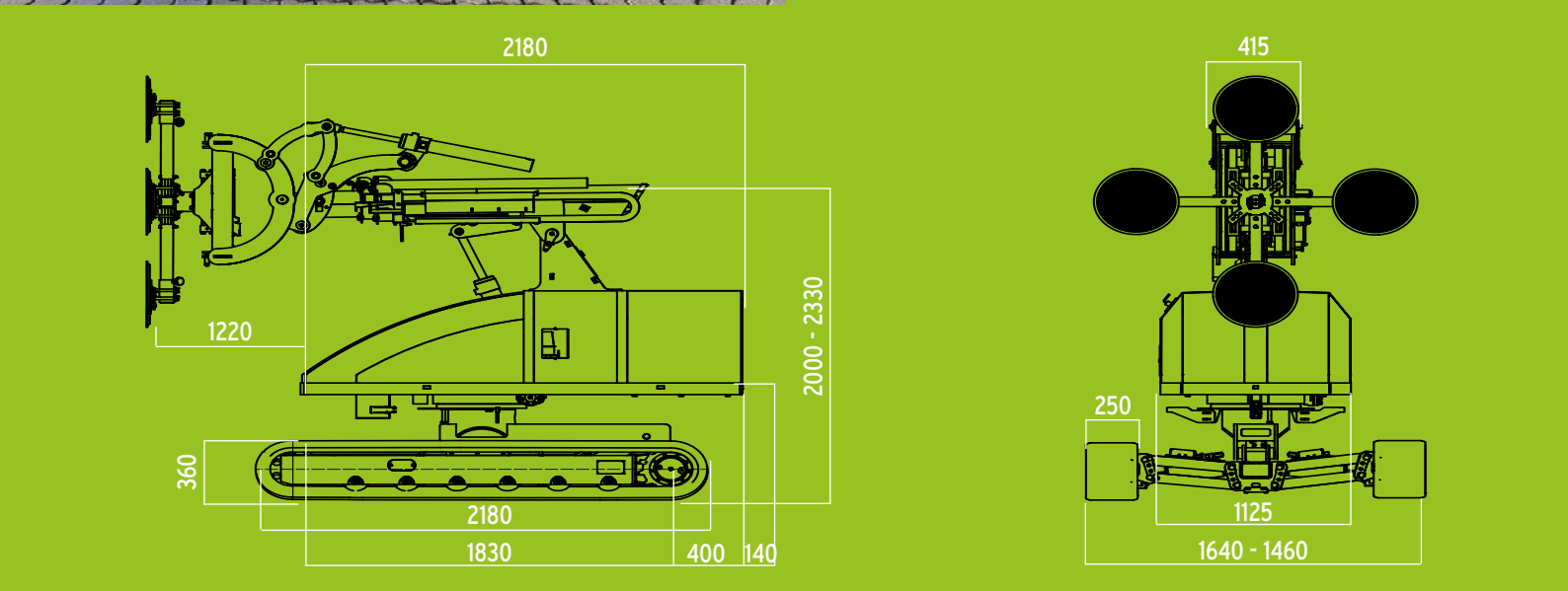
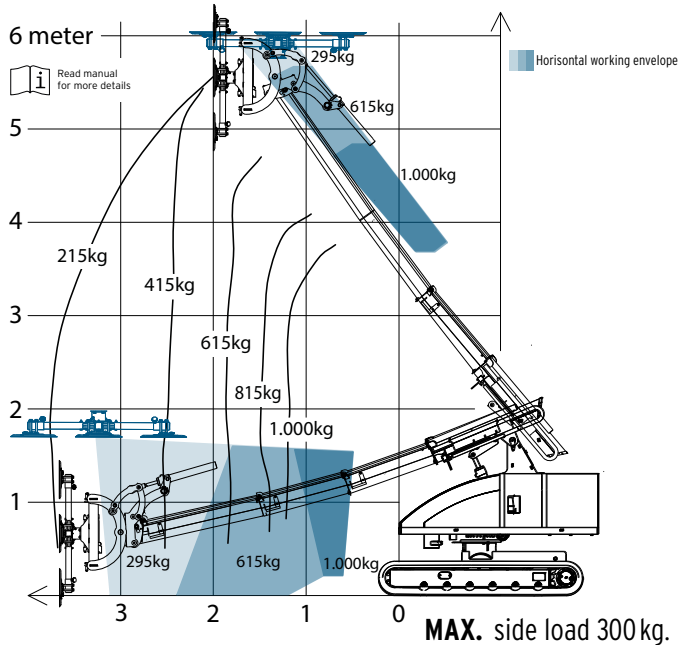
Winlet Crawler Bi-Leveling can operate on all different type of terrain, on stairs etc., ensuring the maximum maneuverability and precision even in the narrowest spaces, with the minimum ground pressure - and without any kind of outriggers needed at any time.

DYNAMIC LEVELLING

The levelling of the manipulator is completely automatic when using the Dynamic Levelling System even on slopes or uneven surfaces. Winlet Crawler Bi-Leveling will automatically adjust both on longitudinal slopes until 15° (27%) and lateral slopes until 14° (25%) at the same time, always ensuring a safe and effective transportation or installation.

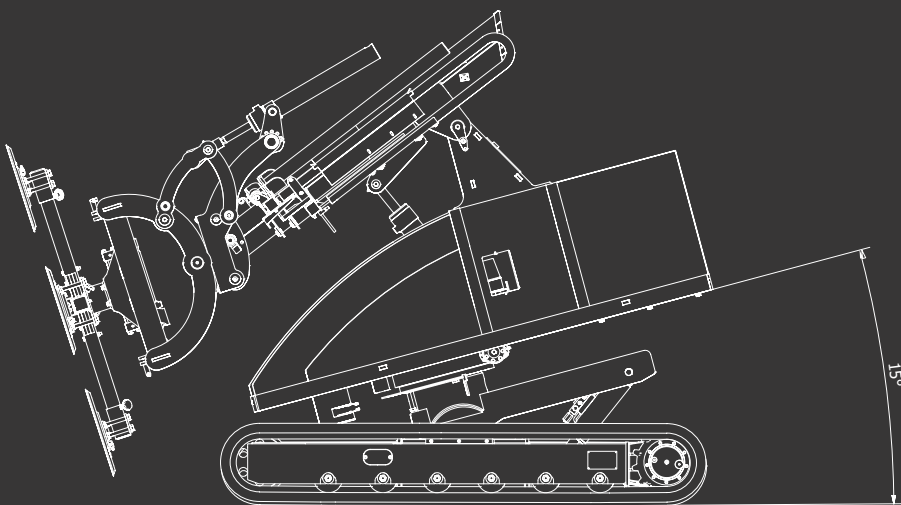


WINLET CRAWLER BL MAX. LOAD/REACH KG.



SPECIFICATIONS

EXTERNAL LENGTH	3.380 MM
EXTERNAL WIDTH	1.460 - 1.640 MM
MAX. LIFTING CAPACITY	1.000 KG
MAX. LIFTING HEIGHT - Raised carrier	5.480 MM
MAX. LIFTING HEIGHT - Lowered carrier	5.280 MM
LIFTING HEIGHT MIN/MAX	0 MM / 1.680 MM
Horizontal cups down	
MAX. OVERHEAD INSTALLATION	
Raised carrier	6.050 MM
MAX. OVERHEAD INSTALLATION	
Lowered carrier	5.850 MM
MAX. REACH - No tilt on carrier	3.380 MM
MAX. REACH - Carrier tilted forward	3.780 MM
ROTATION OF FRONT	350°
MAX. SPEED	2,20 KM/H
TOTAL WEIGHT	3.380 KG
BATTERIES	48V, 420AH



Dealer:



GMV A/S
INDUSTRIPARKEN 1
DK - 7182 BREDSTEN

TEL +45 7573 8247
CVR DK 21801283

WWW.GMVAS.DK
WWW.WINLET.DK
WWW.ERGOMOVER.DK

GMV
Cranes and Handling

GMV A/S - V1